

# Service Schematics

# NOKIA C2-01

RM-721  
RM-722

## IMPORTANT

This document is intended for use by authorized Nokia service centers only. Please use the document together with other documents such as the Service Manual and Service Bulletins.

## Version information

While every effort has been made to ensure that the document is accurate, some errors may exist. Please always check for the latest published version for this document.

If you find any errors in the document please send email to: [service.manuals@nokia.com](mailto:service.manuals@nokia.com)

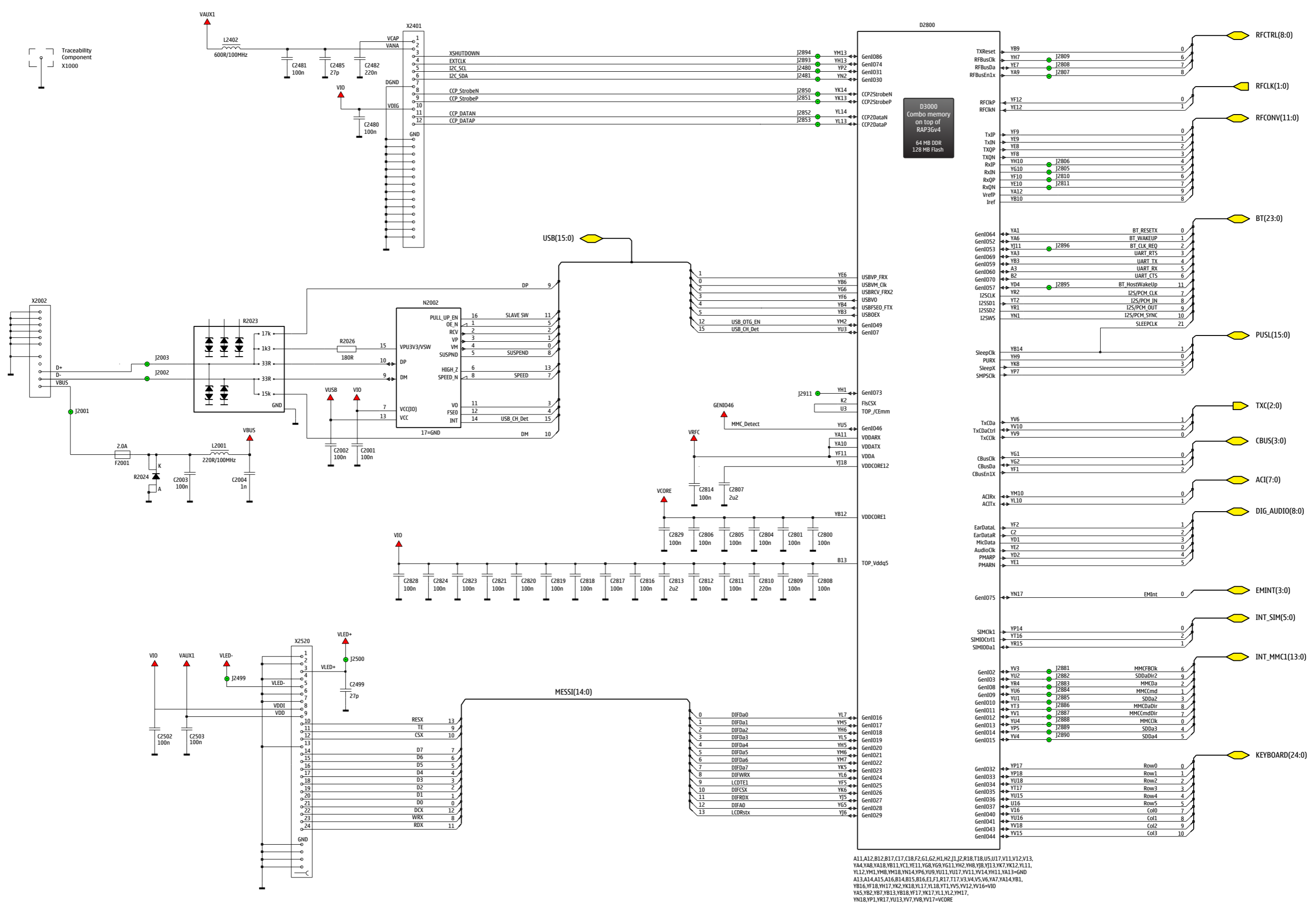
1.0 First approved version.



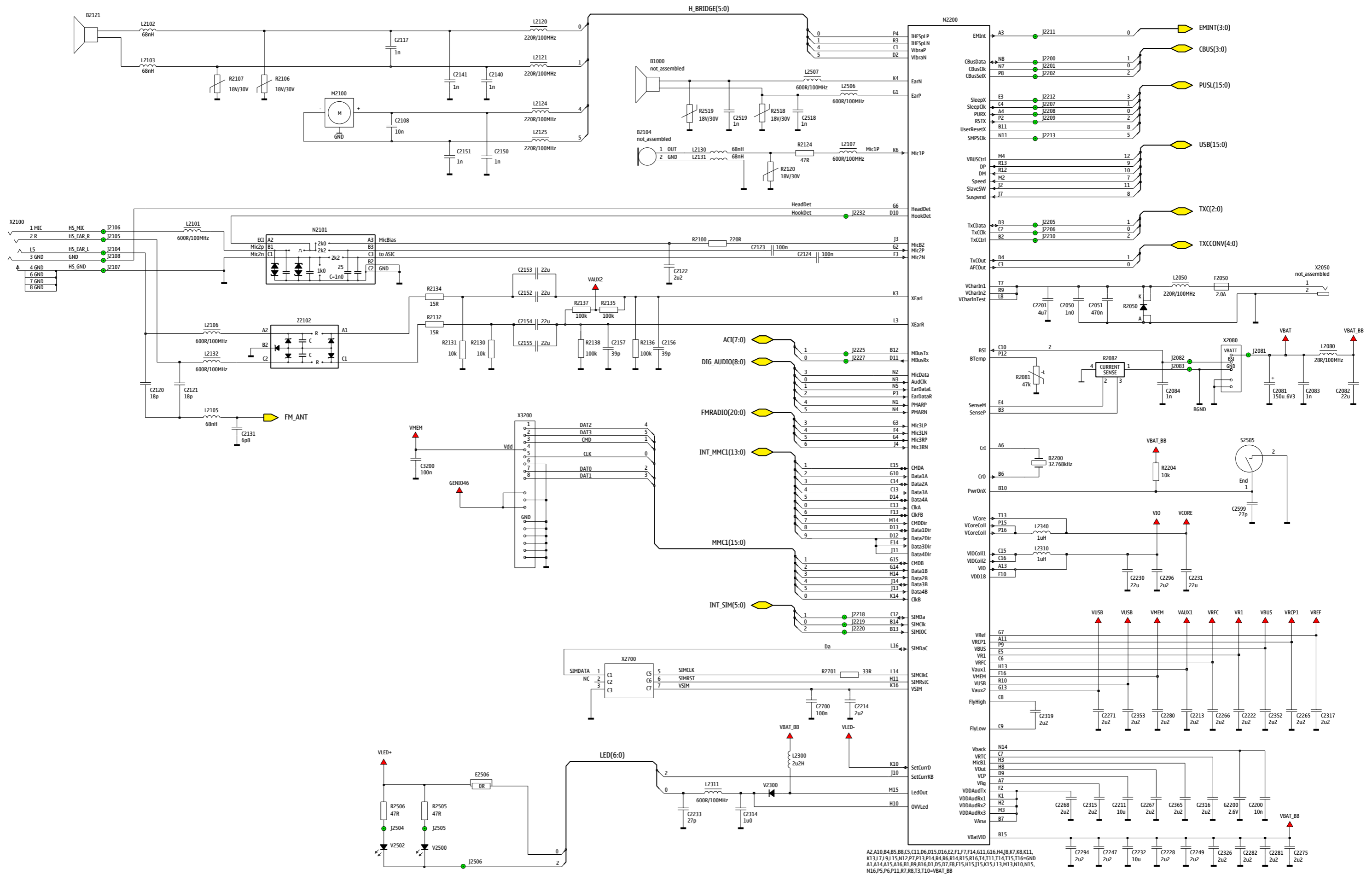
## Contents

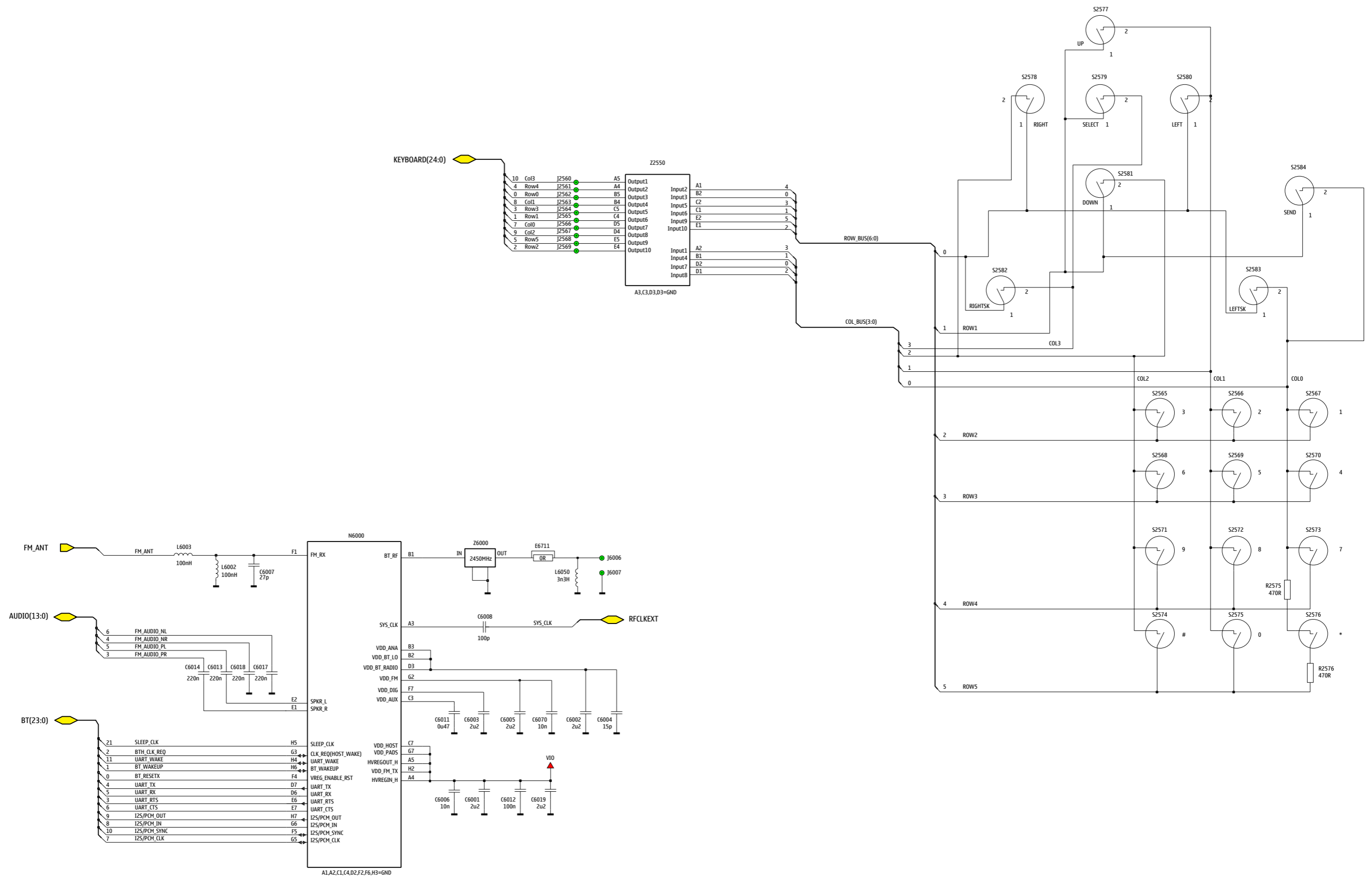
Front page	1
RAP3Gv4, FS USB, Sensors, Memory, UI	2
PEARL_J, Audio, MMC, SIM, Battery, Keyboard Backlighting	3
BTHFM, Keyboard I/F	4
RF part	5
Component finder top	6
Component finder bottom	7

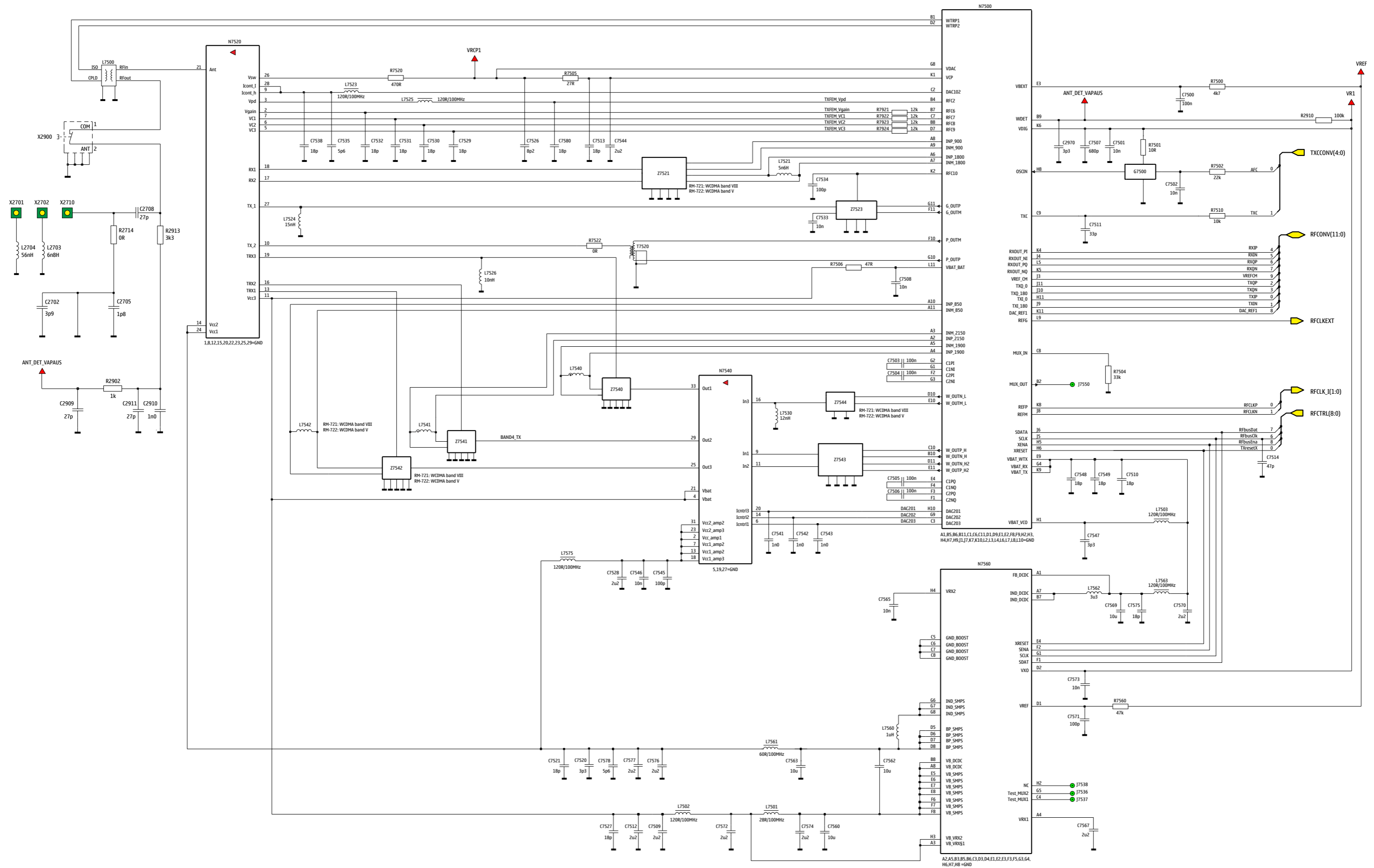
Traceability Component X1000

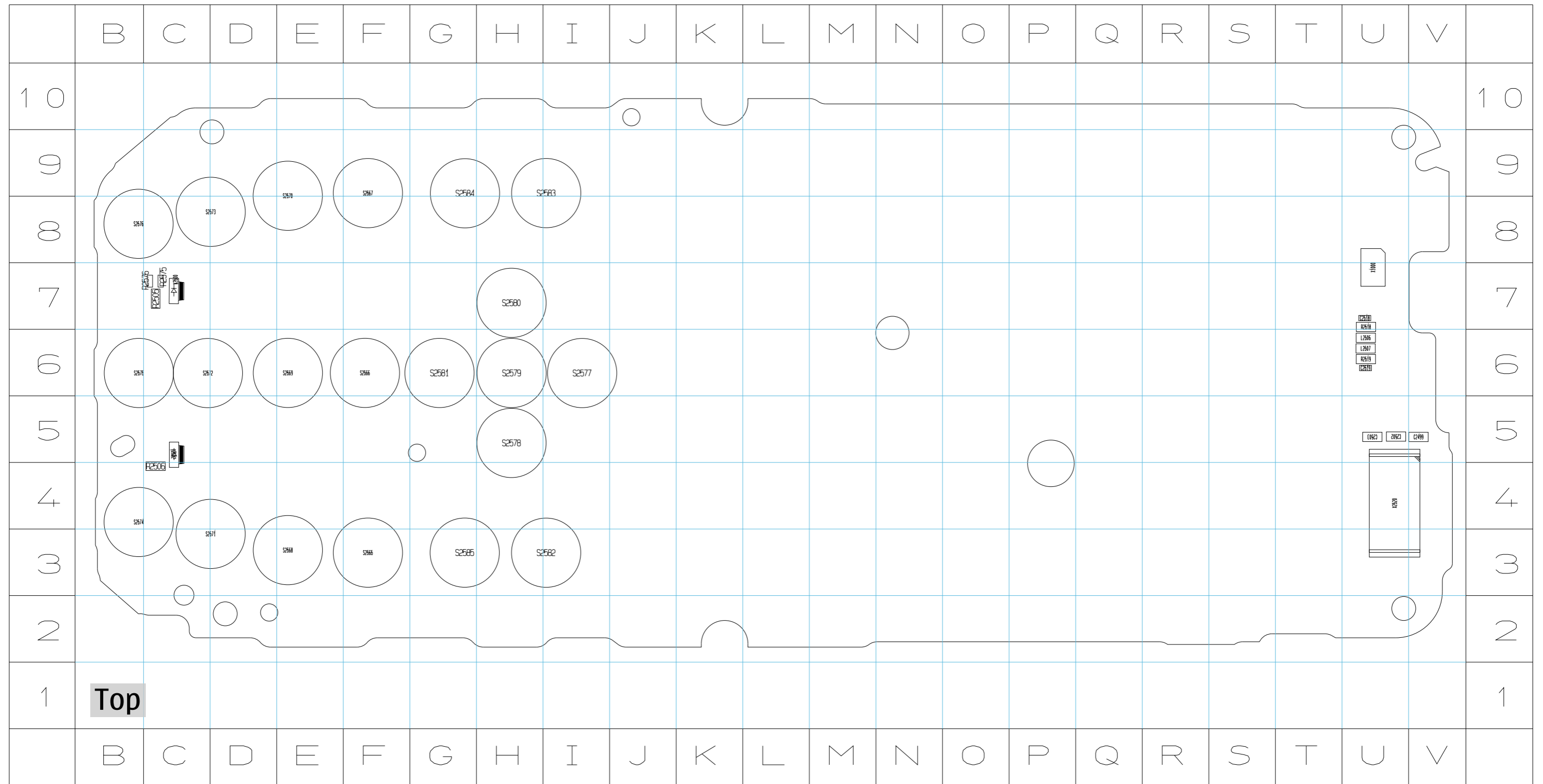


- A11,A12,B12,B17,C17,C18,F2,G1,G2,H1,H2,I1,J2,R18,T18,U5,U17,V11,V12,V13,
- YA4,YA8,YA18,YB11,YC1,YE11,YG8,YG9,YG11,YH2,YH8,YJ13,YK7,YK12,VL11,
- YL12,YM1,YM8,YM18,YN14,YP6,YU9,YU11,YU17,VW11,W14,W11,WA13=GND
- A13,A14,A15,A16,B14,B15,B16,E1,F1,F17,F17,F17,V3,V4,V5,V6,VA7,VA14,YB1,
- YB16,YF18,YH17,YK2,YK18,YL17,YL18,YL19,YL19,YL19,YL19,YL19,YL19=VIO
- YA5,YB2,YB7,YB13,YB18,YF17,YK17,YL1,YL2,YM17,
- YN18,YP1,YR17,YU13,YV7,YV8,YV17=VCORE

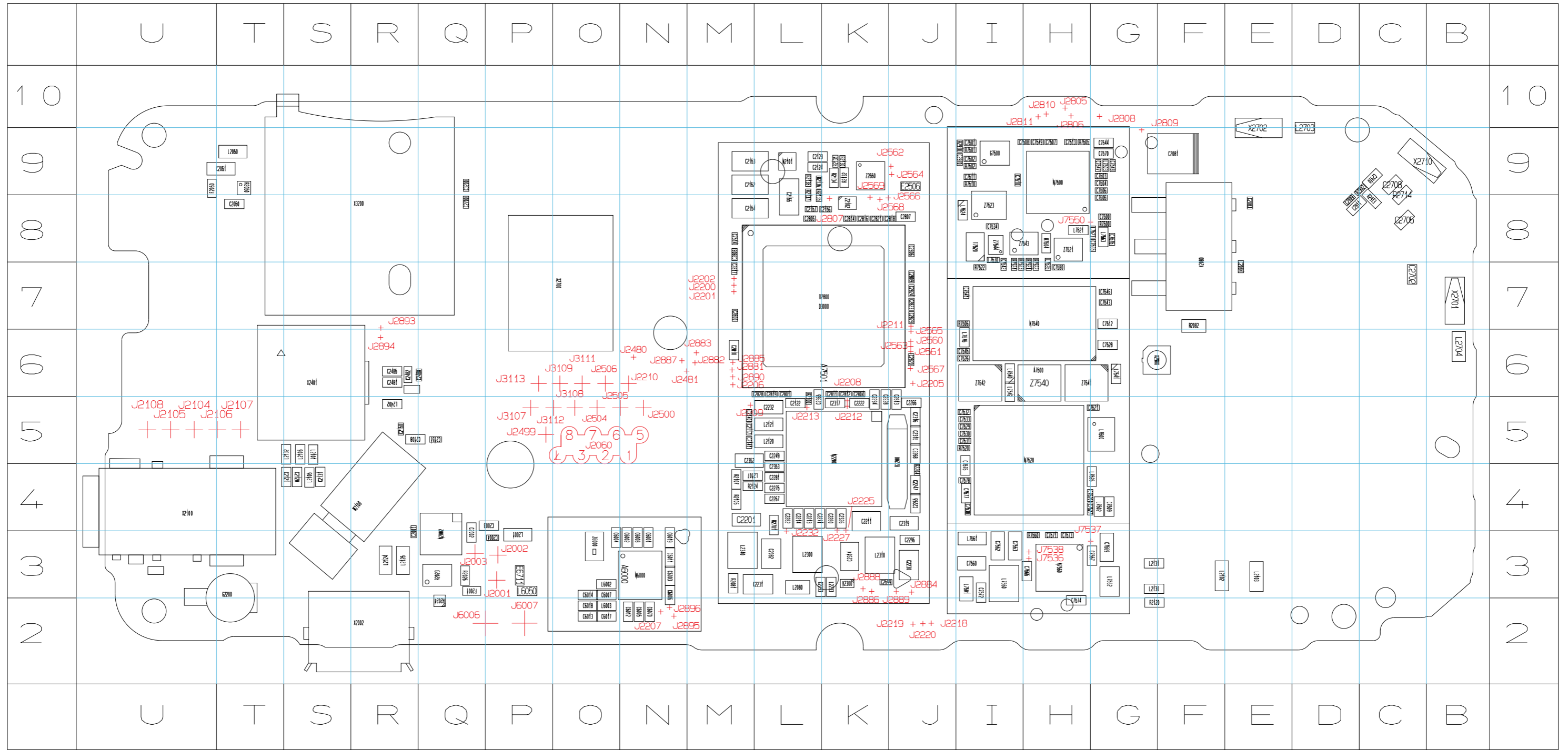








<b>C</b>	L2507	U6	<b>V</b>
C2499	V5	<b>R</b>	V2500
C2502	U5	R2505	C7
C2503	U5	R2506	C4
C2518	U7	R2518	U7
C2519	U6	R2519	U6
<b>L</b>	R2575	C7	
L2506	U6	R2576	C7



<b>A</b>	C2051	T9	C2131	S4	C2211	K4	C2266	J5	C2316	J5	C2700	Q8	C2810	M6	C2824	J7	C6005	N2	C7500	G8	C7512	G7	C7533	I5	C7549	H9	C7575	G8	G2200	T3	L2120	L5	L2703	D9	L7525	H7	M2100	R4	R2024	Q2	R2132	K9	R7500	G8	R7923	I7	X2701	B7	Z7541	H6	
A6000	N3	C2081	F9	C2140	M5	C2213	L4	C2267	L4	C2317	K5	C2702	C7	C2811	K6	C2828	L6	C6006	N3	C7501	I9	C7513	H9	C7534	I8	C7560	I3	C7576	I4	G7500	I9	L2121	L5	L2704	B6	L7526	G4	<b>N</b>	R2026	Q3	R2134	K9	R7501	I9	R7924	I7	X2702	E9	Z7542	I6	
A7500	H6	C2082	L3	C2141	M5	C2214	L4	C2268	J5	C2319	J4	C2705	C8	C2812	K6	C2829	J7	C6007	O3	C7502	I9	C7514	M8	C7535	G8	C7562	I3	C7577	I4	<b>L</b>	L2124	R3	L6002	O3	L7530	I8	N2002	Q3	R2050	T9	R2135	L8	R7502	I9	<b>T</b>	X2710	C9	Z7543	H8		
A7501	K6	C2083	E8	C2150	R5	C2222	K5	C2271	L4	C2326	K4	C2708	C9	C2813	J5	C2909	D8	C6008	N3	C7503	G9	C7520	H4	C7538	I4	C7563	I3	C7578	I4	L2001	P3	L2125	R3	L6003	O2	L7540	I6	N2101	L9	R2081	M3	R2136	L9	R7504	H8	T7520	I8	X2900	G6	Z7544	I8
<b>B</b>	C2084	E7	C2151	Q5	C2228	K5	C2275	L4	C2352	M5	C2800	M7	C2814	K8	C2910	C9	C6011	N3	C7504	G9	C7521	G5	C7541	I7	C7565	H3	C7580	H7	L2050	T9	L2130	G3	L6050	P3	L7541	G6	N2200	K5	R2082	F7	R2137	L8	R7505	H9	<b>V</b>	X3200	R8				
B2200	J5	C2108	R5	C2152	M9	C2230	J3	C2280	K4	C2353	L4	C2801	L6	C2816	K8	C2911	D8	C6012	N2	C7505	G8	C7526	I6	C7542	I7	C7567	G3	<b>D</b>	L2080	L3	L2131	G3	L7500	G5	L7542	I6	N6000	N3	R2100	L5	R2138	L9	R7506	I7	V2300	K3	<b>Z</b>				
<b>C</b>	C2117	M5	C2153	M9	C2231	L3	C2281	L4	C2365	L5	C2804	K6	C2817	M7	C2970	I9	C6013	O2	C7506	G9	C7527	H4	C7543	G7	C7569	G3	D2800	K7	L2101	S5	L2132	S5	L7501	I3	L7560	I3	N7500	H9	R2106	M4	R2204	J4	R7510	I9	<b>X</b>	Z2102	K8				
C2001	R3	C2120	S4	C2154	M8	C2232	L5	C2282	L4	C2480	Q6	C2805	L8	C2818	J8	C3200	Q9	C6014	O3	C7507	H9	C7528	G6	C7544	G9	C7570	G9	D3000	K7	L2102	F3	L2233	K3	L7502	G4	L7561	I3	N7520	H5	R2107	M4	R2701	L4	R7520	I5	X2002	R2	Z2550	K9		
C2002	Q3	C2121	S4	C2155	L8	C2233	L3	C2294	K5	C2481	R6	C2806	J8	C2819	L6	C6001	N3	C6017	O2	C7508	H9	C7529	I5	C7545	I6	C7571	H3	<b>F</b>	L2103	E3	L2300	L3	L7503	G9	L7562	G3	N7540	H7	R2120	G2	R2714	C8	R7522	I7	X2080	F8	Z6000	O3			
C2003	P4	C2122	L5	C2156	K8	C2247	J4	C2296	J3	C2482	R6	C2807	J8	C2820	J6	C6002	N3	C6018	O2	C7509	G4	C7530	I5	C7546	G7	C7572	I3	F2001	Q3	L2105	S4	L2310	K3	L7521	H8	L7563	G8	N7560	H3	R2124	M4	R2902	C9	R7560	H3	X2100	U4	Z7521	H8		
C2004	P3	C2123	L9	C2157	L8	C2249	L5	C2314	K3	C2485	R6	C2808	M8	C2821	K8	C6003	N3	C6019	N3	C7510	I9	C7531	I5	C7547	G9	C7573	H3	F2050	U9	L2106	S5	L2340	M3	L7523	G8	L7575	I6	<b>R</b>	R2130	K9	R2910	I9	R7921	H7	X2401	S6	Z7523	I8			
C2050	T8	C2124	L9	C2201	M4	C2265	J4	C2315	J5	C2599	K3	C2809	J7	C2823	J7	C6004	O3	C6070	N2	C7511	I9	C7532	I5	C7548	G9	C7574	H2	<b>G</b>	L2107	M4	L2402	R5	L7524	I8	<b>M</b>	R2023	Q3	R2131	K9	R2913	C8	R7922	H7	X2700	O7	Z7540	H6				